

Power



Transport system



✓ Transport system (without charger)

For one battery charger (standard version)

Type: MPC4 & MPC9

Dimensions transport system (HxWxD):
100(202) x 51 x 62 cm

Art.-No.

140526

Transport system options:

Incl. external signal lamp (height 100 cm) **140526/01**

Incl. external signal lamp (height 20 cm) **140526/21**



✓ Transport system for B-Housing version (without charger)

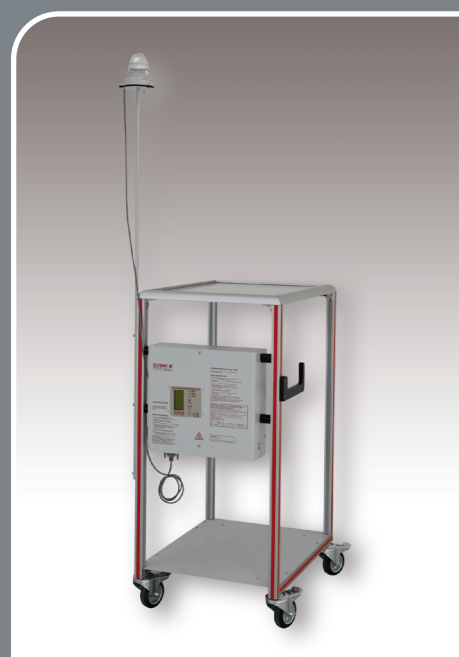
Type: MPC4 & MPC9

For one charger DBL B-Housing

For mounting external signal lamp
107492/x with mounting kit **140591/x**
prepared

Art.-No.

140527



✓ Transport system (multifunctional)

Without accessories

Transport system with mounting device for
two DBL in B housing and signal lamps

Art.-No.

140534

140534/1

Transport system with mounting device for
two DBL2250/3W resp. DBL3000/3W and
signal lamps

140534/2

Transport system with mounting device
for D-IBM energy buffer system as well as
two DBL/3W or DBL-B and external signal
lamps

140534/3

Corner protection profile type A
1 set (4x 1m) self-adhesive

140784

D-IBM/ Wallmount



✓ D-IBM Energy buffer system for DBL chargers

On request



✓ Wallmount with cable holder Housing Version A

Wallmount with cable bracket incl.
mounting and fastening materials
for DBL series in A-Housing Version

Art.-No.

140551

Type: MPC4 & MPC9



✓ Wallmount with cable holder Housing Version B

Wallmount with cable bracket incl.
mounting and fastening materials
for DBL series in B-Housing Version

Art.-No.

140418

Type: MPC4 & MPC9



✓ Basic carrier / Rework station

Basic carrier for DBL MPC4 & MPC9 chargers, B-Housing Version

Incl. EU socket combination
Not mounted!

Other socket combination on request

Art.-No.

140422

140422/10



✓ Cable spring balancer with locking device

Load 1.5...3 kg

Incl. conductor holder for round cables

Art.-No.

140061/1



✓ D-ILA EMC filter for DBL-Series

Adaptive filter box to meet ILA EMC requirement on DBL devices

Retrofittable on existing DBL devices

Type: MPC4 & MPC9

Art.-No.

140291 (MPC4)

140292 (MPC9)



✓ External Signal Lamp

External signal lamp for charging computers of the DBL MPC4 series

For clear signalling of the charging status on production lines and workshops

MPC4 – with 2.5 m cable length

Without acoustic signalling

Acoustic signalling
with LED signal green

Acoustic signalling
with LED signal yellow

Acoustic signalling
with LED signal red

Mounting set for mounting a signal lamp on the transport system,
mounting height approx. 100 cm

Art.-No.

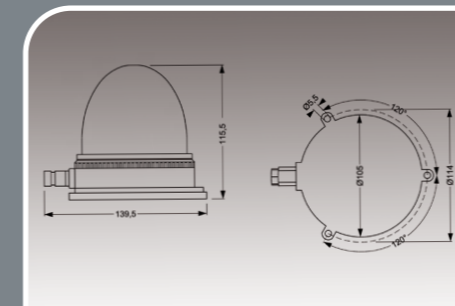
107492

107492/20*

107492/21*

107492/22

140591



MPC4 – with 0.5 m cable length

Without acoustic signalling

Acoustic signalling
with LED signal green

Acoustic signalling
with LED signal yellow

Acoustic signalling
with LED signal red

Mounting set for mounting a signal lamp on the transport system,
mounting height approx. 20 cm

107492/1

107492/10*

107492/11*

107492/12

140591/1

* minimum order quantity: 5 pieces



Use of charger with signal lamp during assembly line



✓ External Signal Lamp

External signal lamp for charging computers of the DBL MPC9 series

For clear signalling of the charging status on production lines and workshops

MPC9 – with 2.5 m cable length

DBL-SIG USB Indicator without acoustic signalling

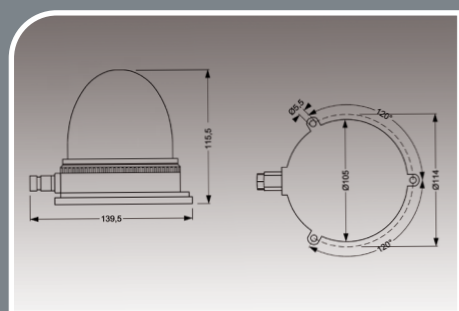
107489

DBL-SIG USB Indicator with acoustic signalling

107489/20

Mounting set for mounting signal lamp on the transport system, mounting height approx. 100 cm

140591



MPC9 – with 0.5 m cable length

DBL-SIG USB Indicator without acoustic signalling

107489/1

DBL-SIG USB Indicator with acoustic signalling

107489/10

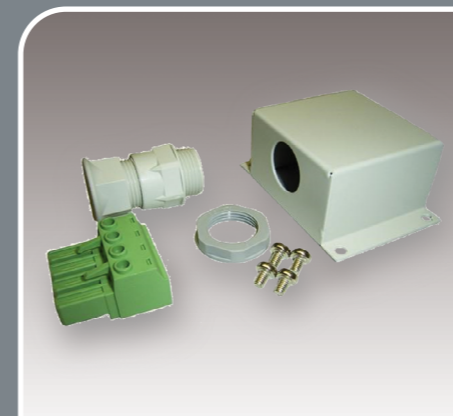
Mounting set for mounting signal lamp on the transport system, mounting height approx. 20 cm

140591/1

* minimum order quantity: 5 pieces



Use of charger with signal lamp during assembly line

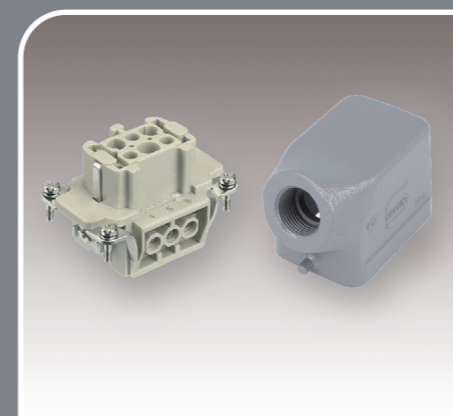


✓ Mains connection kit

For DBL3000/3W and DBL5500/3W

Art.-No.

140742



✓ HARTING-plug

HARTING-plug for all DBL-B-HAN-versions (mains connection)

Art.-No.

140442



✓ Spare parts

Rubber foot for DBL800 (without illustration)

Art.-No.

140726

Hinged feet frontside Type: MPC4 (f.e. DBL1600) (without illustration)

140731

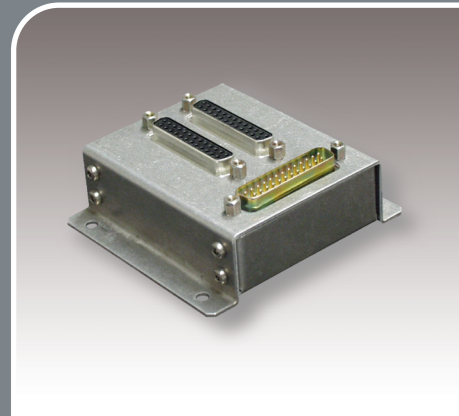
Carrying handle for product groups Type: MPC4 (f.e. DBL1600)

140728

(Attention – handle is not generally mountable – the basic article needs to be prepared ex factory)

Further spare parts on request





✓ D-ADAPT-SBB2X25 T-Adapter (MPC4)

The T-Adapter enables the utilisation of the further functions of the 25 pole DBL interface while at the same time the external signal lamp (DBL-SIG-LR) is connected to the DBL.

Art.-No.

140334

✓ D-ADAPT-SB25 Data Cabl

Data cable male-female, 25 pole / 1.8 m

Art.-No.

140337



✓ Service-Set for DBL-MPC4 chargers

RS232/USB converter, incl. USB extension cable (approx. 80cm)

Art.-Nr.

140236

RS232 data cable, length approx. 3m (incl. button for optional MPC4 bootloader update)



✓ Retrofit-USB-Adapter (MPC9)

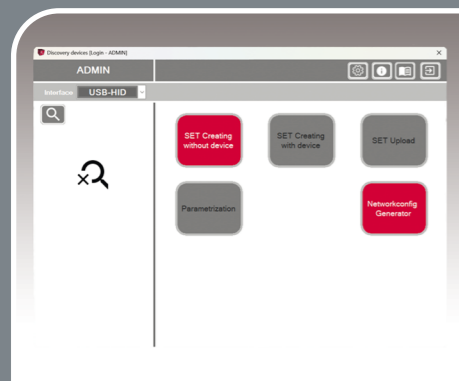
Connection of a DBL-SIG-LRv2 remote indicator

Evaluation of the device status via relay signaling and the function pin (RemoteOff or PowerDown)

Art.-Nr.

107280

Selection of the operating mode of the MPC9 device via the system control



✓ D-Tool-x3 Parameterization tool

About PC-based parameterization of the DBL MPC4 and MPC9 chargers

Features:

- SET Creating without device
- SET Creating with device
- SET Upload
- Parametrization
- Networkconfig Generator (MPC9)



✓ Mains cable for Europe

With Schuko and IEC plug According to IEC-60320 C13

Meter	Art.-No.
3.0 m	140502
5.0 m	140501



✓ Mains cable for USA

According to NEMA 5-15 C13

Meter	Art.-No.
5.0 m	140504



✓ Mains cable for Australia

According to AS3112 C13

Meter	Art.-No.
5.0 m	140416



✓ Mains cable for United Kingdom

According to BS1363 C13

Meter	Art.-No.
5.0 m	140413

✓ Mains cables international (4 set)

Set consists of 4 mains cables
 Europe-Schuko • USA / Canada / Japan
 UK / Ireland / Hong Kong • Australia / New Zealand C13

Meter	Art.-No.
5.0 m	140415

Connection Technology MPC9



✓ Mains cable for Europe

With Schuko and IEC plug
According to IEC-60320
C19

With Schuko and IEC plug
According to IEC-60320
C19 with self lock

Power cord with Schuko plug, Harting

Meter	Art.-No.
5.0 m	140461
5.0 m	140461/1

Meter	Art.-No.
5.0 m	140465

Meter	Art.-No.
5.0 m	140462

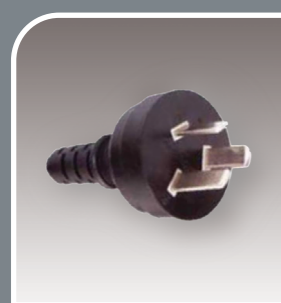
Meter	Art.-No.
5.0 m	140463

Meter	Art.-No.
5.0 m	140464



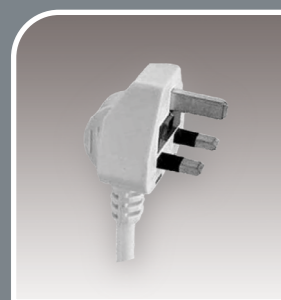
✓ Mains cable for USA

According to NEMA 5-15
C19



✓ Mains cable for Australia

According to AS3112
C19



✓ Mains cable for United Kingdom

According to BS1363
C19

Connection Technology



✓ Charging cable

16 mm² / 100 m reel
Cable for battery charger

Art.-No.
140509

Cable/Lenght	Connection	Charging clamps	Art.-No.
MPC9 1AC A-Housing and MPC4 (except DBL2250 & DBL3000)			
16 mm ² / 5.0 m	Welding connectors	200A	140708
16 mm ² / 5.0 m	Welding connectors	Angled 1000A	140687
25 mm ² / 5.0 m	Welding connectors	200A	140710
25 mm ² / 5.0 m	Welding connectors	Angled 1000A	140669
16 mm ² / 7.0 m	Welding connectors	200A	140712
16 mm ² / 7.0 m	Welding connectors	Angled 1000A	140685
25 mm ² / 7.0 m	Welding connectors	200A	140743
16 mm ² / 10.0 m	Welding connectors	200A	140721
16 mm ² / 10.0 m	Welding connectors	Angled 1000A	140744
25 mm ² / 10.0 m	Welding connectors	200A	140710/1
16 mm ² / 12.0 m	Welding connectors	200A	140709
16 mm ² / 15.0 m	Welding connectors	200A	140708/9
MPC9 B-HAN; MPC4 DBL2250 & DBL3000			
16 mm ² / 5.0 m	Cable lug M12	200A	140477
25 mm ² / 5.0 m	Cable lug M12	200A	140661
25 mm ² / 5.0 m	Cable lug M12	Angled 1000A	140470
35 mm ² / 5.0 m	Cable lug M12	200A	140660
25 mm ² / 7.0 m	Cable lug M12	200A	140471
25 mm ² / 7.0 m	Cable lug M12	Angled 1000A	140472
25 mm ² / 10.0 m	Cable lug M12	200A	140473
25 mm ² / 10.0 m	Cable lug M12	Angled 1000A	140474
25 mm ² / 12.0 m	Cable lug M12	200A	140475
25 mm ² / 15.0 m	Cable lug M12	200A	140476
Charging cable for SmartCharger SC300/SC500			
6 mm ² / 4.0 m	From the BMCS2 connector up to the charging clamps	Fully isolated clamping tongs	140444
Charging cable for SmartCharger SC750			
8 mm ² / 2.0 m	From the MPC50 connector up to the charging clamps	Fully isolated clamping tongs	140454

Connection Technology



✓ Scratch protection for charging cable

For charging cable 5.0 m
Prevents damage by the charging cable on the vehicle

Art.-No.

140676



✓ Cable clamps

Completely isolated, for professional applications

Standard 200A

red

black

Set red and black

Art.-No.

140557

140558

140559



Set angled 1000A

red and black

Art.-No.

140549



Spare part for 200A cable clamps

Handle cover red

Handle cover black

Art.-No.

140553

140554



✓ Charging cable coupling

Charging cable coupling (plug)

Charging cable coupling (socket)

Art.-No.

140556

140555



✓ Welding connector

Socket / plug for mounting in your own application

Mounting plug (minus)

Mounting socket (plus)

Art.-No.

140563

140562



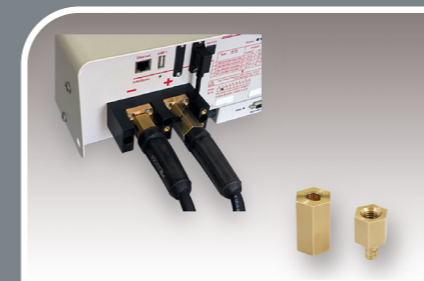
✓ Welding plug / Charging cable coupling set

Set includes Art.-No. 140555, 140556, 140562 and 140563

Art.-No.

140508

Connection Technology



✓ Bayonet adapter Set for threaded connection

Compatible with DBLx3-14-B-HAN, DBLx3/3W-14-B-HAN (NOT for DBL2253)

Suitable for 16–25mm² charging cables
Rated current up to 120A

Art.-No.

140962

Contact



Deutronic Elektronik GmbH

Deutronicstraße 5

D-84166 Adlkofen/Germany

Tel.: +49 8707 920-0

E-Mail: sales@deutronic.com

www.deutronic.com

Imprint

Deutronic Elektronik GmbH

Managing directors: Christian Wanzke, Thomas Wanzke

USt-IdNo.: DE 128 947 951

WEEE-Reg.-No.: DE 13739201

Commercial Register: HRB No. 1837

Court of jurisdiction: Landshut / Germany

All technical data measured with nominal input voltage, full load and 25°C ambient temperature, when not otherwise stated.
Technical changes and errors excepted. The details in the catalogue and in the data sheets describe products, their characteristics are not guaranteed. Loading with "threshold" values (simple combinations) are permissible without permanent damage to the equipment. Operation of the equipment with threshold values for long periods of time can impair the reliability. The threshold value tolerances are subject to usual fluctuations.



Accessories catalogue
Charging Technology

